

# Genesis Newsletter



Being a Faith Community, Celebrating, Living and Sharing God's Love

**JANUARY 2015 VOLUME 19, ISSUE 1**

---

## PASTOR KIP YOUNGER

### ADMINISTRATOR

Theresa Weber

**8831admin@1umc.org**

### ADMINISTRATIVE ASSISTANT

Barbara Channell

**secretary@1umc.org**

### BOOKKEEPER

Sandy Dewart

**bookkeeping@1umc.org**

### CHRISTIAN EDUCATION

Deb Dioguardi

**christianed@1umc.org**

### PARISH NURSE

Karen Kline

**parishnurse@1umc.org**

### CUSTODIAN

Dale Evans

### MUSIC

Dixie Lay - Director

Becky Kirksey - Music Assistant

Ginny Robertson - Organist

Roz Jarrett - Pianist

### PARISH VISITOR

Dolores Moore

**dmoorenurse@gmail.com**

### SOUND TECHNICIANS

Sharon Cooley

Ron Hesketh

### NURSERY STAFF

Helen Kulick

Fran McCrady

### YOUTH COORDINATOR

Wayne Brown

**godsquad@1umc.org**

### NIGHT SECURITY

Tiffany Howe/Justin Johnson

~~~~~  
PRAYER CHAIN BY MARY LEE:

**prayerchain@1umc.org**

### GENESIS SUBMISSIONS TO:

Mary Lee Millikin, Editor

**genesis@1umc.org**

Pat Blake, Copy Editor

### SALLY MOORE, WEBMASTER

**www.1umc.org**

**webmaster@1umc.org**

---

**Sunday Worship: 8:00 am—9:30 am—11:00 am**

**8831 W. Bradshaw St., Homosassa, FL 34446**

**Phone: 352-628-4083 Fax 352-628-9086**

**Learn more at 1umc.org**

## 2 *From the Pastor*

**“For I know the plans I have for you,” declares the Lord, “plans to prosper you and not to harm you, plans to give you hope and a future.” Jeremiah 29:11**

In August, 2009 a new television reality show premiered on ABC. The name of the show is “Shark Tank”. The idea behind the show is simply that aspiring entrepreneurs make business presentations to a panel of potential investors. If the investors are interested in the individual’s business, they will offer the person/s a certain dollar amount for a certain percentage of their business.

The show is still on ABC and I find it interesting because I like to see what other people have created. The investors are interesting as well in that they ask a variety of questions. Some questions relate to the business side of the new creation; will it generate enough revenue to be prosperous or not? There are questions on the practical side as well; is this something people need, want, will actually purchase or is it a short lived novelty?

It is also interesting to hear the advice the panel of investors offer the individuals. This panel is composed of very successful business women and men. They have taken personal risk in their own lives and have both made money and lost money; lots of it.

The experience of the panel is intended to teach and encourage the individuals

on how they could improve on selling what they have created. And, of course, improvement usually means higher sales, higher profits and more money.

While the format of this show is copied from another similar show in a different country, the concept is what some might describe as being “100% American”. This may be because some may say that success in our country is based upon profits and accumulated wealth; be it in business or individual lives.

Now don’t get ahead of me here. This is not an article about the “evils of the American socioeconomic structure and future”. My feelings in regard to capitalism are just the opposite. But it is an article on our concept of planning and what our futures should ideally look like, based upon human nature and God’s desires for our lives.

When God gave the above words to Jeremiah I doubt that God was considering the tactics and processes similar to “Shark Tank”.

Perhaps one of the most obvious differences may be that while it is the God given gift of creativity within the mind and heart of the individual that prompts their new ideas, it is not God’s intention that they would immediately run to others for further advice. God’s desire is that we continue a strong relationship with him, and that we feel encouraged and at peace to come to him in our time of need. This need could be for wisdom, encouragement, help or comfort. Regardless of the driving compulsion. it is God’s desire that his children come to him first. Perhaps his

|                                                                                                                                                                                                                                                                                                                                                                                                                                                                                                                                                                                                                                                                                                                                                                                                                                                                                                                                                                                                                                                                                                                                                                                                                                                                                                                                                                                                                                                                                                                                |                                                                                                                                                                                                                                                                                                                                                                                                                                                                                                                                                                                                                                                                                                                                                                                                                                                                                                                                                                                                                                                                                                                                                                                                                                                                                                                                                                                                                                                                                                                                                                                                                                    |
|--------------------------------------------------------------------------------------------------------------------------------------------------------------------------------------------------------------------------------------------------------------------------------------------------------------------------------------------------------------------------------------------------------------------------------------------------------------------------------------------------------------------------------------------------------------------------------------------------------------------------------------------------------------------------------------------------------------------------------------------------------------------------------------------------------------------------------------------------------------------------------------------------------------------------------------------------------------------------------------------------------------------------------------------------------------------------------------------------------------------------------------------------------------------------------------------------------------------------------------------------------------------------------------------------------------------------------------------------------------------------------------------------------------------------------------------------------------------------------------------------------------------------------|------------------------------------------------------------------------------------------------------------------------------------------------------------------------------------------------------------------------------------------------------------------------------------------------------------------------------------------------------------------------------------------------------------------------------------------------------------------------------------------------------------------------------------------------------------------------------------------------------------------------------------------------------------------------------------------------------------------------------------------------------------------------------------------------------------------------------------------------------------------------------------------------------------------------------------------------------------------------------------------------------------------------------------------------------------------------------------------------------------------------------------------------------------------------------------------------------------------------------------------------------------------------------------------------------------------------------------------------------------------------------------------------------------------------------------------------------------------------------------------------------------------------------------------------------------------------------------------------------------------------------------|
| <p>answer will be to apply for the “Shark Tank” program, or contact a prayer partner or a family member, but that would be secondary. He will always be hungry to be the primary source of assistance in our lives.</p> <p>Let me also mention that not everyone who appears on “Shark Tank” leaves with huge financial backings and the wisdom of one of the investors. Some are just simply turned away and for a variety of reasons.</p> <p>In our reading from Jeremiah, I do not hear any conditions for the promises of God to be a reality in anyone’s life. It reads as if it is an open invitation for anyone to come to God and trust his word.</p> <p>Did you notice the specifics of God’s promise? There are four promises. The first is to prosper us. This prospering is not necessarily financial at all. This prospering is in the totality of life, in our relationship with God. To prosper is to have a gain in some venue of life. Trusting God for gain, also means that we trust him for the gain in the places of our lives, where he knows such divine gains are greatly needed.</p> <p>God promises not to harm us. Here is something the world could have a hard time promising us. Human greed is a strong driver of human action and the rationale that permits greed to have its way. If one “needs” to cause another harm for their own personal gain, there is an excellent chance that they will do so. And all the while rationalizing their actions to alleviate any feelings of guilt.</p> | <div style="text-align: right; border: 1px solid black; padding: 2px; width: 30px; float: right;">3</div> <p>God’s third promise is one of hope. Hope is a necessary human emotion which serves to encourage us, even through the most difficult events of life. Without hope there is little life. The panel on the “Shark Tank” attempt to offer words of hope and encouragement but their words are only based upon their own thoughts. Their words do not have divine power behind them.</p> <p>Lastly, God offers a future. However, a future of what? A future with him. A future filled with his love, grace, mercy and presence. God offers a future that only he can see clearly. A future that has our best interest in mind. A future that we may not see the benefit in until years later and maybe then we’ll realize God’s hand had to be with us for a very long time.</p> <p>Now in reality, there is a need to be wise here and realize that both worlds must come together: the real human world that we live in, and the real divine world that holds us close to the heart of God. It is a natural act to try and balance these two worlds like a balance scale, keeping the two as equals. That’s the human mindset.</p> <p>The real goal is to not balance the two as equals but keep our connection to the divine as primary and our connection to human as secondary. How? By putting God first in all things.</p> <p>How many New Years have you started with the best of intentions in mind only to succumb to failure? Perhaps God has a better plan for your new year.</p> <p>God Bless—Pastor Kip</p> |
|--------------------------------------------------------------------------------------------------------------------------------------------------------------------------------------------------------------------------------------------------------------------------------------------------------------------------------------------------------------------------------------------------------------------------------------------------------------------------------------------------------------------------------------------------------------------------------------------------------------------------------------------------------------------------------------------------------------------------------------------------------------------------------------------------------------------------------------------------------------------------------------------------------------------------------------------------------------------------------------------------------------------------------------------------------------------------------------------------------------------------------------------------------------------------------------------------------------------------------------------------------------------------------------------------------------------------------------------------------------------------------------------------------------------------------------------------------------------------------------------------------------------------------|------------------------------------------------------------------------------------------------------------------------------------------------------------------------------------------------------------------------------------------------------------------------------------------------------------------------------------------------------------------------------------------------------------------------------------------------------------------------------------------------------------------------------------------------------------------------------------------------------------------------------------------------------------------------------------------------------------------------------------------------------------------------------------------------------------------------------------------------------------------------------------------------------------------------------------------------------------------------------------------------------------------------------------------------------------------------------------------------------------------------------------------------------------------------------------------------------------------------------------------------------------------------------------------------------------------------------------------------------------------------------------------------------------------------------------------------------------------------------------------------------------------------------------------------------------------------------------------------------------------------------------|

# Welcome

## **Need to update your records?**

If you have changed any of your contact information, please call Barb after 12:30 p.m. in the church office at 628-4083. Not a member yet but attend regularly? We want you to be included in our Circle of Friends list. Please use the pew pad on Sunday to record your contact information (name, address, & phone number). Please print clearly and include your email. All of this information is vital and will help connect us to each other as the body of Christ. Provide your information with confidence-we will never distribute, sell, or otherwise use your information for anything other than church business.

## **Weekly Email**

Pastor Kip sends out a weekly email every Friday which includes important announcements, information about the coming week's scripture, and usually some things to think about as you prepare for worship on Sunday. If you want to receive this weekly email, please email Theresa in the office at: **[8831admin@lumc.org](mailto:8831admin@lumc.org)**.

## **New Member Classes**

New member classes will be taught by Pastor Kip Younger, 3 times a year, for anyone who is considering becoming a member of First United Methodist Church or would like to learn more about our Methodist beliefs. The membership classes will be four, 1 hour sessions, on Wednesday evenings 6:30 p.m.-7:30 p.m. in room 306. We will receive our new members on the following Sunday. The next opportunity to join the church will be in 2015 and will be announced later.

## **Membership Transfers**

Membership transfers for people who want to transfer their membership from another Methodist church will be held the fourth Sunday of every month. If you are transferring from another denomination or any other church, you are encouraged to attend the new member classes.

If you are interested in exploring membership, have any questions about which category to join by, please contact Pastor Kip, Theresa in the church office at 628-4083, or indicate "wish to join" on the pew pad on Sundays.



**WITHIN THE CHURCH**

**ADMINISTRATION**

- Church Council
- Counting Team
- Board of Trustees
- Finance Committee
- Memorials
- Nominating Committee
- Permanent Endowment Committee
- Scholarship Committee
- Staff/Parish Relations Committee
- Stewardship Committee

**WORSHIP**

- Audio-Visual Ministry
- Communion Stewards
- Creative Worship Team
- Decorating Committee
- Flower Arranging
- Greeters and Ushers
- Music Ministry

**MEMBERSHIP CARE**

- Attendance Tracking Committee
- Christian Education
- Disaster Relief Programs
- Funeral Receptions
- Library
- Member Support
- Parish Nurse
- Parish Visitation
- Prayer Ministry
- Reception Committee
- Stephen Ministry

**MINISTRIES & WORK AREAS**

- Folding/Mailing Committee
- Genesis Newsletter
- Green Committee
- Kitchen Committee
- Mission Committee
- Monday Morning Work Crew
- Office Reception Team
- Online Picture Directory
- Publicity

- Salvation Army Bell Ringers
- Welcoming Ministry
- Wonderful Wednesday Dinners
- Youth Ministry

**IN OUR COMMUNITY**

- Alzheimer's Support Group
- Arts Council
- Blood Bank
- Camp-E-Nini-Hassee
- Cancer Support Group
- Diabetes Support Group
- Disaster Relief/Response Team
- Food Pantry
- God's Clods (clown ministry)
- Health Related Workshops
- Holiday Prison Ministry
- Hunger & Homeless Outreach
- LifeSouth Blood Bank Location
- Medical Equipment Loan
- Memory Lane Respite (day care)
- Men's Wed. Morning Prayer Breakfast
- Knit for Kids (World Vision)
- Nursing Home Ministries
- Prayer Shawl Ministry
- Shut-In Visitation
- Stephen Ministry
- Thrift Shop
- Welcome Bags

**MISSIONS**

- CROP Hunger Walk
- FL United Methodist Children's Home
- Missionaries to Ireland
- Missionaries to Siberia
- Salvation Army of Citrus County
- SHINE
- The Path, Sanctuary, & Grace House

**BIBLE STUDY GROUPS**

- Come See - Wednesday, 9:30 a.m.
- Guy Bible - Tuesday, 7 p.m.
- Meadowcrest Bible - Wednesday, 10 a.m.
- Men's Serendipity - Tuesday, 3 p.m.
- Women's Serendipity - 3rd TH, 1:30 p.m.
- Saturday Sisters - Saturday, 8:30 a.m.
- Siegel Bible - Wednesday, 10 a.m.
- Wise Bible - Friday, 10:00 a.m.
- Women's Bible - Wednesday, 6:30 p.m.
- WOW - 2nd Tuesday monthly, 6:30 p.m..

## 6 Christian Education

*by Deb Dioguardi*

### **Happy New Year!!!!**

How are you doing on your New Year's Resolutions?

In 2 Corinthians 5:17, Paul writes: *"Therefore, if anyone is in Christ, he is a new creation; the old has gone, the new has come."*

This year brings many opportunities for renewal of our bodies, minds, and spirits; chances to continue with some long-standing good habits and also some new experiences that can be used to rekindle or spark our lives as new creations in Christ. Here are just a few of them:

#### **Body:**

- **CPR Class:** January 10th!
- **Griffith Exercise and Yoga** (begins January 6th-free classes here at church!)
- **The Daniel Plan**  
A group study written by Rick Warren and a group of medical doctors which examines the components of a healthy lifestyle as prescribed in God's word. (*This begins in January, check the bulletin and website for details*).

#### **Mind:**

- **Sunday School**  
(Classes for children, youth, and adults at 9:30, as well as an adult class at 10:45.

- **Adult Small Groups**

Small group studies meet in – and out-side of the church virtually every day of the week. If you're not part of a group Bible study (Sunday school too) you're missing out on a huge chance to make meaningful friendships, grow in your understanding of what it means to be a Christ-follower, and grow in your faith. If you need a list of class offerings, get a copy of the listing at the Welcome Desk or call me!

I am planning on facilitating ***Esther: For Such a Time as This*** by Beth Moore sometime in the early spring, again, stay tuned for details.

#### **Spirit:**

- **Winter Jam:** January 10th  
The Godsquad invites any interested folks to travel with them to Tampa for this incredible night of music and praise.
- **The Next Chapter:** January 14th  
A time of fellowship for folks who have recently lost their spouses
- **SpringBlast-Off:** March 23-24th  
A two-day, Spring Break VBS

**Happy 2015!!—Deb**





*Karen Kline*  
RN BSN  
FUMC Faith  
Community Nurse



eventually gets easier but there are still ups and downs. 7

## The Next Chapter

Congratulations, you survived the holidays. The holidays, though a wonderful time for celebrating the birth of our Lord, and spending time with family and friends is also one of the biggest grief “triggers”. A time when memories are awakened of the loss of a significant loved one and feelings of sadness, anger, frustration, exhaustion, or even overwhelming feeling of numbness may be present. You may also be experiencing physical symptoms ranging from sleep disorders, appetite problems, aches and pain, as well as more serious health issues. It is important to realize that these feelings are normal.

Everyone grieves differently. Grief is highly individual for each person. How we grieve is dependant on many factors; such as your life experiences, your faith and the very nature of your loss. The grief process takes time, and there is no timetable for your grieving. A lot of literature available talks about the “stages” of grieving; but it is more realistic to view the grieving process as a roller coaster. In the beginning the ride may be rougher, with the lows being long and deep. The ride

So, now that the holidays are over you might be ready, or you may know someone else who is ready to turn the page to the next chapter of life. On January 14<sup>th</sup> at 11 A.M. we will have a “Gathering” in the parlor. This will be an opportunity to find out about different services available in our area to help. It will also be a chance to build a network of others, and an opportunity to share with them. It is important to know you are not alone. Your feelings, no matter what they are, are normal. There is no right or wrong way to grieve. If you would like to attend the “Gathering”, please call 628-4083 to register.

HPH grief counselor Paul Winstead will be conducting an eight week program called “Grief’s Journey” in our parlor, starting Wednesday January 28<sup>th</sup> from 10:00 a.m. to 11:30 a.m. If interested, call HPH @ 527-4600 to register; or if you have questions, call me at the church 628-4083.

**GriefShare**  
*your journey from  
mourning  
To joy*





**Several times a year we put an article in Genesis about how a Stephen Minister can walk beside you. This time we would like you to hear from some of the care receivers who have had a Stephen Minister.**

**STEPHEN MINISTRY  
IN ACTION**

The care and support I received from my Stephen Minister was every bit as important to my recovery as the excellent medical care I received from the doctors and nurses. This is truly a life giving ministry. *Tom*

I've heard the phrase 'the peace of God that passes all understanding' many times in church. My Stephen Minister has helped me experience that peace in a very real, very heartfelt way. *Anne*

Within five minutes of meeting my Stephen Minister, I knew she was right for me. She listens and cares, never judging or criticizing me. She

has shown me God's unconditional love, something I had never fully experienced before. *Sarah*

Life is chaotic right now that I don't know much for certain. But I do know that my Stephen Minister is there for me and praying for me. I've come to realize that (even though I don't always feel it) God is there too and really is a work in my life. *Earl*

My Stephen Minister listens—*really* listens. I never realized how helpful and healing such a simple act can be. *Michelle*

My Stephen Minister was there during the darkest of times—patiently listening and trying to understand my pain. Looking back, I can clearly see how my Stephen Minister kept me connected to God when I was falling away. *Nathan*

**If you or someone you know would benefit from a caring, one on one, confidential relationship with a Stephen Minister. Call one of our Stephen Leaders: Carol MacKenzie, 382-8926, Karen Kline, 382-7163, or the church office.**

Be ~~with~~ someone  
that makes  
you happy.



**Homosassa 1st United Methodist Church**  
8831 W. Bradshaw Street, Homosassa, FL 34448  
www.1umc.org

9

**2014-2015 Arts Council Series**  
**ALL SHOWS: 3:00 p.m.**

**Jan. 18, 2015**  
**The Browns**

It's truly a family affair when The Browns hit the stage with their gospel music. The musical stylings of Shelly, Michaela, Adam, and Andrew exude excitement on the stage and offer a life-changing experience to all who hear them. The Browns deliver the powerful message of the gospel through word and song that engage audiences of all ages. The Browns have been touring across the US since the group began its full-time ministry 13 years ago. The heralded group began on the local and state level and has expanded and grown into a national touring group. The Browns received the prestigious honor of Top 10 Mixed Group of the Year for the fourth year in a row.



**Feb. 15, 2015**  
**Mindy Simmons**

Mindy Simmons sings Peggy Lee's hits from the 30's thru the 80's. With a Jazz combo behind her, Mindy emulates the humor, finesse and sultry style of the late great Miss Peggy Lee. Singing the songs of Miss Lee and sharing stories of her fascinating life, Mindy takes the audience on a journey through Peggy's 45-year career in the music industry. Mindy brings a polished, professional show to the stage. Her quick wit and warm approach charms audiences and puts them in a relaxed frame of mind, ready to be entertained.



**Mar. 15, 2015**  
**David Pendleton**

David brings to his show a cast of comedic characters including lovable but blunt Aunt Tilly, a 94 year-old spinster; the classic quick-witted trouble maker, Mack Elroy; the dopey yet adorable hound dog, Buford; and the slightly misguided albino vulture, Vern. Of course no show would be complete without a few surprise appearances from members of the audience as well! David's high-quality, family-friendly humor has mesmerized audiences the world over. Whether it's a church program, convention, conference, corporate event or a cruise, David Pendleton makes it a night to remember!



**General Admission, \$10 each      Reserved Seat, \$18 each**

For tickets, 1st UMC, 628-4083 or Jim Love, 746-3674;  
Jim Potts, 382-1842; Karen Kline, 382-7263; Ron Hesketh, 382-4518



**I totally take back all those times I  
didn't want to nap when I was younger!**



<http://gilmoresinbelfast.com>  
**GILMORE MISSION**

Happy New Year to God's people at Homosassa UMC. We hope that as you look forward to 2015, that you will know the knowledge of the love of God in surprising and meaningful ways – as individuals and as a community.

### Celebrations

The end and the beginning of the year are filled with celebrations, and we would like to share with you a couple of celebrations that happened throughout the autumn around EBM, and the chance for ministry they produced.

This year brought the third annual Skainosfest, a festival day offered to the local community with a wide variety of entertainment and activities for all ages. One of the goals was to celebrate a variety of cultures, so the day included a brass band, a flute band, a folk group,



Irish dancers and a **Chinese dragon**. This celebration of the diversity of culture is a witness of the kingdom

of God in an area that has had much division over nationality and culture.



On this day, children had the opportunity to have their face painted, **make and launch their own rocket**, watch a puppet show,



attend a drumming workshop, and interact with animals (including owls and a wallaby). There were demonstrations on healthy cooking in the community garden and a BBQ for everyone. These are opportunities not often available in our struggling area. We estimate that 1,500 people joined us for some portion of time on the day.

My favorite moment on this Saturday was a conversation, near the close of the day, with a woman attending with her grandson. She

shared how her family was moving through a tumultuous and uncertain time that had challenged her faith. She and her grandson had enjoyed a marvelous day together in the midst of a tough time. After all the buzz of activity, the day closed for me by praying for strength alongside this woman and her grandson.

Our equivalent of Thanksgiving in Northern Ireland is a festival called Harvest, and a group from the church partnered with staff and volunteers at EBM's homelessness project to put together a great weekend. **Skainos Square** had a



variety of scarecrows which were made by local people and the sanctuary was decorated with gifts of food that were donated to our homelessness project. **Our worship**



held a strong theme of thanksgiving for God's provision.

My greatest moment of thanksgiving that day had to do with a young man who offered a solo on the tenor horn. Over the past year, this Jonny has become a regular part of congregational life. Though he plays the horn at a very high standard, he had not played in front of any groups for over three years due to a number of personal difficulties and circumstances. After getting to know Jonny over this past year, it was an incredibly beautiful moment to hear him play "Somewhere Over the Rainbow" as part of our worship. We were moved to hear such quality music from a young man on a tremendous new journey.

May you know many celebrations of new life and God's grace during this year!

Peace,  
Britt, Alison, Ellie, Emily, & Jake



Email your request to [prayerchain@lumc.org](mailto:prayerchain@lumc.org) or, Put your request in the Prayer Request Box in the narthex or, you may also call the church office at 628-4083.

12

## **I'M LOST BUT NOT FORGOTTEN!!**

Perhaps you picked me up by mistake and took me home after the Thanksgiving dinner at church! I'm a cake/pie knife and my owner misses me, so please return me to the church office. Thank you from my owner - Kathy Hughes-Powell - she really misses me!

## **"BELIEVE"**

### **WOMEN'S RETREAT**

The Conference Women's Retreats near Leesburg are a great way to take time apart and spend time with our Lord and other women from around the state.

Women from our church will be attending the February and March weekends. Information about the retreats is included below. Complete information can be found on the bulletin board in the administration building and online at [www.flumcwomensretreats.org](http://www.flumcwomensretreats.org)

If you have any questions, please contact Marilyn Watson.

### **SPEAKERS FOR 2015**

#### **January 30 - February 1**

Keynote - Rev. Rwth Fuquay  
Bible Leader - Rev. Tamara Isidore  
Music Leader - Donna Allen

#### **February 27 - March 1**

Keynote - Rev. Juana Jordan  
Bible Leader - Rev. Sarah Campbell  
Music Leader - Sue Sommer

### **DO YOU KNOW?**

I've noticed some recent additions around the church and thought you'd be interested in knowing how they came about.

The railing along the sidewalk going into the church on the office side was recently installed for safety reasons. It was installed by our maintenance staff, so once again lets say "Thanks" for a job well done.

The large roof installed over the columbarium area was given as a very charitable gift, including the installation, by an anonymous donor. For those who use, or may use this latest addition, be sure to thank our Lord for this valuable gift. Mary Lee, your Genesis Editor



**1**  
Patti & Steve Griffith  
~ 23 years ~  
**10**  
Erin & Thomas Kimble  
~ 15 years ~  
**11**  
Gail & Walter Rudolph  
~ 12 years ~  
**15**  
Karen & Neil Kline  
~ 43 years ~  
Kathy & Bill Yuhasz  
~ 27 years ~  
**17**  
**Joan & Art Carnevale**  
~ **56** years ~  
Gloria & Zane Megos  
~ 46 years ~  
**28**  
Lauri & Warren Burns  
~ 1 year ~  
**31**  
Gerry & James Graham  
~ 17 years ~.

**BOLD = 50+ YEARS**

(as of 12/10/14)

**BRENTWOOD**

Gene Harry  
Joyce Minnicks

**CR HEALTH/REHAB**

Nancy Pearo

**LIFE CARE**

Jan Magamoll

**SUGARMILL MANOR**

Dorothy Atwell  
Zip Bender  
Jerry Cole  
Grace Payne

**SUNFLOWER SPRINGS**

Barbara Kuhl  
Helen Vaught  
Catherine Wischart

**SUPERIOR  
RESIDENCE**

John Guthrie  
Hazel Keniston  
Hank Pouderoyne-HPH.

*Thank  
You*

My family and I want to thank everyone who sent prayers, cards, flowers, food, phone messages, and memorial gifts after my husband's passing.

I can't completely express how much you've meant to my son and I during our time of loss and grieving. You are such a loving and caring church family and we are so thankful.

Mary Lee & Greg Millikin



**Thursday 1**  
**NEW YEAR'S DAY**  
 9:00-Noon (Thrift Store)  
 1:30 Women's Serendipity

**Friday 2**  
**GENESIS DEADLINE**  
 9:00-Noon (Thrift Store)  
 9:30 Knit for Kids (OS)

**Saturday 3**  
 8:30 Saturday Sisters Bible  
 9:00-Noon (Thrift Store)  
 10:30 God's Clods  
 3:00 A/Video Rehearsal

**Sunday 4**  
**Communion Sunday**  
**8:00 Traditional Worship**  
**9-9:30 Faith Café open**  
**9:20 Discovery Class**  
**9:30 Sunday School (all)**  
**9:30 Traditional Worship**  
**10:30-11 Faith Café open**  
**10:45 New Beginnings**  
**11:00 Traditional Worship**

**Monday 5**  
 8:00 Work Crew  
 8:30 SHINE  
 8:30 Tracking Committee  
**9:00 COME PRAYER**  
 9:30 Visitation Committee  
 10:00 Sacred Hour  
 1:00 ML Respite

**Tuesday 6**  
 9:30 Free Exercise  
 9:30 Staff Meeting  
 10:00 UMW LEADERSHIP  
 1:30 Stephen Ministers  
 3:00 Stephen Ministers  
 3:00 Serendipity Bible  
 5:30 Weight Watchers  
**6:00 Girl Scouts**

**Wednesday 7**  
 7:00 Men's Prayer Group  
 9:30 Weight Watchers  
 10:00 Meadowcrest Bible  
 10:00 Siegel Bible  
 5:15 Music  
 6:00 Bells  
 6:30 Women's Bible  
 6:30 Youth Group  
 7:00 Choir

**Thursday 8**  
 9:00-Noon (Thrift Store)  
 9:15 Ruth Circle  
 10 - 1 FOOD PANTRY  
 6:00 C.E.R.T.

**Friday 9**  
 9:00 Thrift Store  
 9:30 Knit for Kids (OS)  
 10:00 Wise Bible

**Saturday 10**  
 8:00 Serendip. Pancakes  
 8:30 Saturday Sisters Bible  
 9:00-Noon (Thrift Store)  
 1:00 CPR Class  
 3:00 A/Video Rehearsal  
**3:30 WINTER JAM**

**Sunday 11**  
**Discretionary Sunday**  
**8:00 Traditional Worship**  
**9-9:30 Faith Café open**  
**9:20 Discovery Class**  
**9:30 Sunday School (all)**  
**9:30 Traditional Worship**  
**10:30-11 Faith Café open**  
**10:45 New Beginnings**  
**11:00 Traditional Worship**

**Monday 12**  
 8:00 Work Crew  
 8:30 SHINE  
 8:30 Tracking Committee  
**9:00 COME PRAYER**  
 9:30 Visitation Committee  
 10:00 Sacred Hour  
 10:30 Fight Team  
 1:00 Care Support  
 1:00 ML Respite  
 7:00 (T) SMW Civic Asso.

**Tuesday 13**  
 9:30 Free Exercise  
 9:30 Helping Hands Circle  
 9:30 Staff Meeting  
 10:30 Free Yoga  
 1:00 Dorcas Circle  
 3:00 Serendipity Bible  
 5:30 Weight Watchers  
**6:00 Girl Scouts**

**Wednesday 14**  
 7:00 Men's Prayer Group  
 9:30 Come See  
 9:30 Weight Watchers  
 10:00 Meadowcrest Bible  
 10:00 Siegel Bible  
 11:00 NURSE  
 3:00 Staff Parish RC  
 5:15 Music  
 6:00 Bells  
 6:30 Women's Bible  
 6:30 Youth Group  
 7:00 Choir

**Thursday 15**  
**8:00 MD & Dental Bus**  
**8:00 Service Buses**  
 9:00-Noon (Thrift Store)  
 10 - 1 FOOD PANTRY  
 3:00 Missions  
 3:30 Trustees

**Friday 16**

**Council Reports Due**  
**OFFICE CLOSED**

9:00-Noon (Thrift Store)  
9:30 Knit for Kids (OS)  
10:00 Wise Bible

**Saturday 17**

8:30 Saturday Sisters Bible  
9:00-Noon (Thrift Store)  
3:00 A/Video Rehearsal

**Sunday 18**

**PANTRY SUNDAY**

**8:00 Traditional Worship**  
**9-9:30 Faith Café open**  
**9:20 Discovery Class**  
**9:30 Sunday School (all)**  
**9:30 Traditional Worship**  
**10:30-11 Faith Café open**  
**10:45 New Beginnings**  
**11:00 Traditional Worship**  
**3:00 CONCERT**

**Monday 19**

8:00 Work Crew  
8:30 SHINE  
8:30 Tracking Committee  
9:00 Come Prayer  
9:30 Visitation Committee  
10:00 Sacred Hour  
1:00 ML Respite  
3:00 Worship  
6:00 Girl Scout Leaders

**Tuesday 20**

9:30 Free Exercise  
9:30 Staff Meeting  
10:30 Free Yoga  
1:00 Stephen Ministers  
2:00 Diabetes Support  
2:00 Finance  
3:00 Serendipity Bible  
3:00 Stephen Ministers  
5:30 Weight Watchers  
**6:00 Girl Scouts**

**Wednesday 21**

7:00 Men's Prayer Group  
9:30 Come See  
9:30 Weight Watchers  
10:00 Meadowcrest Bible  
10:00 Siegel Bible  
1:30 Transfer Orientation  
5:15 Music  
6:00 Bells  
6:30 Women's Bible  
6:30 Youth Group  
7:00 Choir

**Thursday 22**

9:00-Noon (Thrift Store)  
10 - 1 FOOD PANTRY  
3:00 Perm. Endow. Comm.  
7:00 Council (music)

**Friday 23**

9:00-Noon (Thrift Store)  
9:30 Knit for Kids (OS)  
10:00 Wise Bible

**Saturday 24**

8:30 Saturday Sisters Bible  
9:00-Noon (Thrift Store)  
3:00 A/Video Rehearsal

**Sunday 25**

**TRANSFER SUNDAY**

**8:00 Traditional Worship**  
**9-9:30 Faith Café open**  
**9:20 Discovery Class**  
**9:30 Sunday School (all)**  
**9:30 Traditional Worship**  
**10:30-11 Faith Café open**  
**10:45 New Beginnings**  
**11:00 Traditional Worship**  
**2:00 Friends CR**

**Monday 26**

8:00 Work Crew  
8:30 SHINE  
8:30 Tracking Committee  
9:00 Come Prayer  
9:30 Visitation Committee  
10:00 Sacred Hour  
1:00 ML Respite

**Tuesday 27**

9:30 Free Exercise  
9:30 Staff Meeting  
10:30 Free Yoga  
3:00 Serendipity Bible  
5:30 Weight Watchers  
**6:00 Girl Scouts**

**Wednesday 28**

7:00 Men's Prayer Group  
9:30 Come See  
9:30 Weight Watchers  
10:00 HPH Bereavement  
10:00 Meadowcrest Bible  
10:00 Siegel Bible  
5:15 Music  
6:00 Bells  
6:30 Women's Bible  
6:30 Youth Group  
7:00 Choir

**Thursday 29**

9:00-Noon (Thrift Store)

**Friday 30**

9:00-Noon (Thrift Store)  
9:30 Knit for Kids (OS)  
10:00 Wise Bible

**Saturday 31**

8:30 Saturday Sisters Bible  
9:00-Noon (Thrift Store)  
3:00 A/Video Rehearsal.

**WEEKLY YMCA**

**CLASSES**

(352) 637-0132

Mondays

9:30 Cardio

10:30 SS/Strength/Range

Wednesdays

9:30 Pilates

10:30 SS/Strength/Range

Fridays

9:30 Cardio

10:30 SS/Strength/Range



# Happy Birthday

## JANUARY 2015

|                                                                                       |                                                                                     |                                                                     |                                                                           |
|---------------------------------------------------------------------------------------|-------------------------------------------------------------------------------------|---------------------------------------------------------------------|---------------------------------------------------------------------------|
| 1<br>April Collins<br>John Collins<br>Dawson Gunter<br>Barbara Hartley<br>Joyce Stone | 10<br>Joan Carnevale<br>11<br>Edith Ament<br>Carolee Gettings<br>Jeanette McDougall | 17<br>Ann Ice<br>Thomas Kimble<br>Harold Swinson<br>Bill Williamson | 22<br>Agnes Brickmeier<br>Jane Hamilton<br>William Simmons                |
| 2<br>John Cooley<br>Marian Sandlas                                                    | 12<br>Myrna Evans<br>Carol Ann King                                                 | 18<br>Russell Pick                                                  | 23<br>Janet McVeigh<br>Bruce Stull                                        |
| 3<br>Carol Eriksson<br>Ann Iddings<br>Gloria Marquis<br>Jan Morrow<br>James Stoneman  | 13<br>Iris Whittaker<br>14<br>Buz Chadwick<br>Evelyn Knight<br>Mary Severance       | 19<br>Robert Grafton<br>Bev Graham<br>Glen Gunderson                | 24<br>Randy Weber                                                         |
| 4<br>Linda Izaguirre                                                                  | 16<br>Stan DeClue<br>Marilyn Grime<br>David Marquis<br>Elwin Mosier                 | 20<br>Pat Archer<br>Paul Patton Jr.                                 | 27<br>Don LeFave<br>William Waters                                        |
| 5<br>Joe King<br>Grace Robitaille                                                     |                                                                                     | 21<br>Colleen DeClue<br>John Rada<br>Chuck Rose                     | 28<br>Rita Backhurst<br>Stephen Csont<br>Joe Johnson<br>Phyllis Konitshek |
| 6<br>Barbara Bellcase                                                                 |                                                                                     |                                                                     | 29<br>Lois Pohlman                                                        |
| 8<br>Sue Kuntz<br>Eileen Procnier<br>Amy Roberts                                      |                                                                                     |                                                                     | 30<br>Kathy Betsko<br>Len Cromer                                          |
| 9<br>Ernest Pehmoeller                                                                |                                                                                     |                                                                     | 31<br>Earl Speicher.                                                      |



**DEADLine**

**GENESIS**

**1ST FRIDAY**  
**OF**  
**EVERY MONTH!**





The Daniel Plan is a lifestyle program based on Biblical principals with five essentials: Faith, Food, Fitness, Focus, and Friends. The plan is simple. Dedicate your body to God, Ask for His help and get involved in a small group with friends who will support you and pray for you as you journey together and adopt new habits. Make healthy choices. Live a more active lifestyle including exercise as part of your daily routine. Get more sleep. Cut down on your stress. Sounds simple doesn't it.

Members of Saddleback Church and their pastor, Rick Warren, journeyed together to get more healthy. They conferred with doctors, fitness experts, and others in putting together the plan which was used by the congregation. Over the first year members following this plan collectively lost more than 250,000 pounds.

The Daniel Plan focuses on getting healthier with God's help and the help of one another. It is NOT a weight loss program or diet. There are many things offered on their website; there is even an app!!

Many of us know we need to take better care of ourselves, but struggle. The Daniel Plan recognizes that it takes more than willpower – it takes God's power to make lasting changes. If you know you should be living a healthier lifestyle, perhaps this is for you. We plan to offer this program after the first of year. If you think you might be interested, contact Marilyn Watson or Deb Dioguardi.

### **LITTLE EYES SEE A LOT ..**

Each of us (parent, grandparent, aunt, uncle, teacher, friend)  
influences the life of a child.

*How will you touch the life of someone today? Just by  
sending this to someone else, you will probably make  
them at least think about their influence on others.*

*Live simply. Love generously. Care deeply. Speak kindly.  
Leave the rest to God.*

## NEW BOOKS FOR THE NEW YEAR

*Start the New Year right by turning over a new leaf – of one of the following books in the Church Library.*

**“Caught in the Middle”**, an Amherst Mystery by Gayle Roper.

Merry Kramer is new in town and has yet to discover what hides behind the smiling faces of the residents of Amherst, Pennsylvania. As a staff reporter for a local newspaper, Merry finds the job contrast incredible - as shocking as finding a body one night and as routine as writing a human interest story on a local artist the next day. But when another death is discovered, Merry realizes she knows something the murderer wants to keep hidden. The question is, what? The next question is, can she survive long enough to find out?

**“Designs to Die For”** by Jan Fields is one of Annie’s Mysteries Unraveled. Mystery always finds its way to Kate Stevens’ door. Kate is a dynamic crochet designer and author and lives in the charming village of Sage Hills, Texas and she is also known for her sleuthing abilities. This story has Kate moving from Maine to Sage Hills, hoping to become a household name in the world of crochet design. Instead she finds herself thrown into a gruesome murder investigation – and she is the prime suspect.

**“Necessary Risk”**, a novel by John F. Bayer, a veteran of the U.S. Navy, and who has served as a missionary in the Republic of Panama and Mexico. The story is about David Michael’s search for the truth, not knowing whom to trust or what to believe. He has suspicions that his brother’s death in an industrial accident was not really an accident and may be some kind of government cover-up? Why would God allow a tragedy like this? The search for the truth about his brother’s murder turns into a search for the faith that once sustained him.

**“Twisted Creek”** by Jodi Thomas. Allie Daniels has inherited a tiny café in a small Texas lake community and as she has had bad luck all of her life, she is sure there must be a catch. But Allie brings her grandmother along and the café gives Nana a chance to do what she loves best -- cook. As people of the lake drop by, lonely folk discover there’s always a table available with down-home food to warm the soul. The residents slowly become family, so when trouble comes, Allie finds she’s not alone anymore and that sometimes the only cure for bad luck is the courage to love.

**“Shanghai Girls”**, a novel by Lisa See, chronicles the lives of two irrepressible Chinese sisters, Pearl and May, first in Shanghai and then in California from 1937–57. It

|                                                                                                                                                                                                                                                                                                                                                                                                                                                                                                                                                                                                                                                                                                                                                                                     |                                                                                                                                                                                                                                                                                                                                                                                                                                                                                                                                                                                                                                                                                                                                                                                                                                                           |
|-------------------------------------------------------------------------------------------------------------------------------------------------------------------------------------------------------------------------------------------------------------------------------------------------------------------------------------------------------------------------------------------------------------------------------------------------------------------------------------------------------------------------------------------------------------------------------------------------------------------------------------------------------------------------------------------------------------------------------------------------------------------------------------|-----------------------------------------------------------------------------------------------------------------------------------------------------------------------------------------------------------------------------------------------------------------------------------------------------------------------------------------------------------------------------------------------------------------------------------------------------------------------------------------------------------------------------------------------------------------------------------------------------------------------------------------------------------------------------------------------------------------------------------------------------------------------------------------------------------------------------------------------------------|
| <p>covers twenty years of love, loss, heartbreak, and joy while delivering a sobering history lesson. The author explores the bonds of sisterhood while powerfully evoking the often nightmarish American immigrant experience.</p> <p><b>“When the Smoke Clears”</b>, a novel by Lynette Eason. After a brush with death due to equipment failure, smokejumper Alexia Allen, is ordered to take time off while the incident is under investigation. She decides to recuperate at her mother’s home and attend her high school reunion. Within hours of arriving at home, she is confronted with murder, arson, and a handsome detective – and also ghosts of her past. Alexia must decide if the secret she’s been guarding for the last ten years must finally come to light.</p> | <p>Book 1 of Linda Lee Chaikin’s <b>19</b> East of the Sun series is <b>“Tomorrow’s Treasure”</b>. It relates the story of Evy Varley, who has been raised by her aunt and uncle in the rectory in the small English village of Grimston Way. Evy remembers little of her parents and nothing of South Africa where she was orphaned during the Zulu War of 1878. When the arrogant son of the local Squire accuses Evy’s mother of stealing the infamous Kimberly black diamond, Evy sets out to prove him wrong and to clear her mother’s name. She finds that secrets abound from the diamond mines of South Africa to the halls of her own beloved rectory. A stunned Evy finds that her own aunt and uncle may have concealed disturbing truths about her family. She must now draw upon her wits and her faith to pursue ‘Tomorrow’s Treasure’.</p> |
|-------------------------------------------------------------------------------------------------------------------------------------------------------------------------------------------------------------------------------------------------------------------------------------------------------------------------------------------------------------------------------------------------------------------------------------------------------------------------------------------------------------------------------------------------------------------------------------------------------------------------------------------------------------------------------------------------------------------------------------------------------------------------------------|-----------------------------------------------------------------------------------------------------------------------------------------------------------------------------------------------------------------------------------------------------------------------------------------------------------------------------------------------------------------------------------------------------------------------------------------------------------------------------------------------------------------------------------------------------------------------------------------------------------------------------------------------------------------------------------------------------------------------------------------------------------------------------------------------------------------------------------------------------------|

### ***PRAYER CORNER***

Please pray for:

- the families we ministered to through the Tree of Hope.
- each of us to be aware of whom the Lord would have us invite to join us in worship, study, or other activities.
- those who come to the Food Pantry for assistance.
- each of us to focus on Christ in all we do.
- our pastor and church staff and their families.
- all those who come to us looking for something, may they find the love of Christ.
- all those in support groups.
- those who are trying to make changes in their lives.



I am very sorry to report that I cannot do the article I had planned for this month about the United Methodist Women. I had a friend admitted to Shands Hospital in Gainesville that I had been looking after, along with many other things personal, and involving the church, so I have just simply run out of time.

I do want to report that we have had a very good year with the Thrift Shop. Our Bazaar was a success, and our Mission's (both local and international) continue doing well. We are looking forward to a new year and pray for many new accomplishments.

All women who attend our church are invited to join us. Our meetings are the 3rd Tuesday of the month at 10 a.m. in Room 114. It would be a joy to see some new faces this coming year. For further information, please contact me at 352-628-6602.

I will give an expanded report next month. God Bless each and everyone this Blessed Season. Pat Blake, President



“Thank you!” to all the willing hearts who participated in this year’s “Tree of Hope”! Because of you and our partners, 65 local children will have experienced joy and hope this Christmas.

A special “thank you” goes to the Ladies Golf leagues of Southern Woods and Sugarmill Woods, and to Pave Rite who donated cash, toys and bicycles. To Papa John’s pizza who partnered with a generous IUMC donor to make sure each family was able to enjoy a free pizza dinner delivered to their door this winter, as well as the Homosassa Wildlife Park who is provided each family with free admission to the VIP night of their “Celebration of Lights”.

Blessings! Deb



Brady Windsor  
 Manager - Underground Utility Division  
 Lic. #CUC1223835

• Site Development  
 • Road Construction  
 • Asphalt Rubble  
 • Membrane Interlayer

**Pave-Rite**  
INC.

Phone: 352-621-1600  
 Fax: 352-621-1645  
 Cell: 352-302-3056  
 E-mail: brady@paveriteflorida.com  
 Lecanto, FL 34460  
 Fireline Contractor "V" #194279-0001-2010





## Living as a Christian

What does it look like to live in this world as a Christian?

If we live as Christians, we are different than the world. There should be something about us that draws others to Christ. Wouldn't it be wonderful to have others drawn to our Savior by the way we live.

In John 17, Jesus prays for *us*. "But now I am coming to you and I speak these things in the world so that they may have my joy made complete in themselves. I have given them your word, and the world has hated them because *they do not belong to the world, just as I do not belong to the world. I am not asking you to take them out of the world, but I ask you to protect them from the evil one. They do not belong to the world, just as I do not belong to the world. Sanctify them in the truth; your word is truth. As you have sent me into the world, so I have sent them into the world.*" (vs. 13 – 18) Emphasis added.

As we grow closer to God and spend time with Him, our eyes are opened to areas in our lives which need to be changed. The really good news is

that we don't have to change by **21** ourselves! Just as the Holy Spirit reveals these areas where some change is needed, He will help us change. The truth is that *He* will change our hearts. Living as a Christian, includes *all* those things commanded in Scripture – including those that are hard.

If we're walking with our Lord, spending time in prayer and in the Scriptures, we will become more Christ-like. We will also hear Him inviting us to join Him in His work. If we follow, we will become closer to God as we see Him at work. An amazing thing is that He will not just enable us to do what He asks of us; He will actually be the One working through us to accomplish His purposes.

As we begin this new year, let us each decide we will spend more time with our Lord, that we will cooperate with Him as He changes us, and that we will do our best to follow Him wherever He leads.

Wishing you a blessed new year,

**Marilyn Watson**



### Happy New Year from Siberia!

We began this journey in January of 1997 with two little boys and a team of workers from across the globe. We find ourselves in 2015 working with nationals and once again helping a fellowship grow in their community and we are very grateful for the opportunity to live and work in Siberia, Russia. Although there have been frustrating and dry 'seasons', we have also seen 'seasons' of plenty.... we pray you are blessed in all seasons!

**First Deaf Fellowship in Siberia celebrates 20 years!** We had the honor of receiving an invitation to this huge celebration in December. It was difficult for us to imagine it has been 20 years for them and that we began working with this fellowship when we arrived in 1997! Going back all those years through pictures, stories, and songs; we watched the incredible journey a small group of nationals and foreign workers had begun all those years

ago. This deaf fellowship is the first in all of Russia to have a deaf pastor. Because they also have hearing folks in attendance, there is a hearing pastor as well. Since their beginning, these devoted folks have been the driving force in building and running children's and church camps, as well as conferences on Lake Baikal. Because of these camps and outreaches in the city, they now have a youth group of almost 50 teens! The youth leaders have divided their youth meetings into music and sports; bringing teens together to talk about the One who gives us such abilities and skills. We are eager to see where the next 20 years will take this fellowship, as they are 'sending out' workers to reach the deaf in other areas of Siberia.



**“Your daughter will probably not live through the night”...** Anya’s mother was given this news in November of 2013 by a team of doctors in the city of Ulan Ude; a year later, this beautiful young girl is a walking miracle! She was eight months pregnant and about to marry when she became seriously ill. The doctors here in the village thought it was just the flu and sent her home. Within hours, she was in the city hospital; 48 hours later, she was in a comma. Days later, her heart stopped for about six minutes so the decision was made to take her baby by cesarean. Anya worsened over the next week and the doctors had all but given up. Although many of us had been praying for her recovery, the pastor and an elder drove to the city to pray with Anya’s mom and asked to go into Anya’s room. (This is not usually allowed.) After their prayers, she came out of her coma and was back home within a month! It has been a long road to recovery; she was paralyzed on one side of her body and could barely speak at one point. Today, she still has some issues with walking and with one arm. She is a true miracle! The bigger news – she decided to follow her Savior last week and will be meeting with us to study His Word. Please remember Anya, her son, and the relationship with her son’s father and family.



**“The parent definitely has to make more changes than the children!”**...as one mother lamented after attending her fourth week of a parenting course we offer. Along with two other single moms, this mother was surprised to learn that most changes in our parenting begin with ‘us’! We are excited to see small changes taking place with their children and the desire each of these mothers have to become *godly* parents, following Biblical principles. The course is 17 weeks and two of these moms work full-time. This is a huge commitment of time; not only to attend the meetings but also do to the required reading and ‘homework’ they have to implement each week. Please keep these families as well as us in prayer; for wisdom to teach and for understanding to make positive changes in their parenting.



*This ‘season’ of plenty has been a huge encouragement and blessing for the fellowship.* They had become frustrated with the lack of growth in numbers and had forgotten living out our faith speaks much louder than anything we can ‘do’. Thank you dear family for your faithful prayers and support to this work – HIS timing is always perfect!

**Compelled by His Love,  
Kevin & Laura**

24 **"..think of these things.."**

by Don Bates

This month of January is the beginning of a new year. Many people will make resolutions they hope will increase their health, their wealth, and happiness. Losing weight, getting more exercise, spending more time on outside activities, top the lists. I'm going to suggest one that might be very unpopular. This year, **Be a Martyr!** Some of you have now stopped reading this article. "Don is nuts to suggest that we all die for Christ." Hopefully those of you who are still reading will come to the realization that the Bible speaks of this all the time. Christ was born to die. Stephen, in the Book of the Acts, became the first follower of Christianity to be killed for speaking out for Jesus. I'm not suggesting that we all try to put ourselves into situations where unbelievers will attack us. But, at the beginning of this new year, we need to acknowledge the fact that many are! The number of Christians being killed for their faith, not just because their homelands are at war, but singled out for death because of their faith in Jesus Christ, is greater today than in the time of the 1st century church. Perhaps numbers as large as during the Holocaust!

**DATELINE ROME 7-2-2014**

Pope Francis said yesterday that there are more persecuted Christians in the world today than there were in

the first centuries of Christianit. When historical situations require a strong witness, there are martyrs, the greatest witnesses. The church grows on the blood of the martyrs. In the Gospel one of Jesus's disciples said the he would follow Him, but only after having buried his father...and Jesus replied: 'NO! Follow me without conditions'. Your witness must be firm; you must use the same strong language the Jesus used: 'Your words must be yes, yes, or no, no,' this is the language of testimony. Today Christians are being killed in Asia, Africa, the Middle East, South America, by the hundreds of thousands.

**DATELINE CHARLOTTE,**

**NC 12-4-2014** Evangelical leader Rev. Franklin Graham claimed America is waging a "war on Christmas". "The last few decades" social culture in America has become increasingly intolerant toward Christianity, and the Christmas spirit. "That's because at its root and core, the war on Christmas isn't really about Christmas - it's about the Son of God. The war on Christmas is a war on Christ and His followers. It's the hatred of our culture for the exclusive claims that Christ made." Examples: Pittsburgh now refers to the traditional Christmas holiday as "sparkle day".

A Minnesota courthouse banned red poinsettias because someone claimed they were a



Christian symbol. A Georgia Veterans hospital banned the singing and playing Christmas songs in public areas.

Montgomery County, Maryland school district voted to strip the school calendar of any religious holidays after threat of legal action.

The lead attorney for ADF, Alliance Defending Freedom, Jeremy Tedesco, has filed actions in many of these cases. He states, "No court has ever ruled that the Constitution demands school officials to censor Christmas carols, eliminate all references to Christmas, or silence those who celebrate Christmas. They are in violation of the First Amendment by stifling student expression about Christmas. But you say, I know this has happened! You are right! It happened because you and I and our

Christian friends allowed it to happen. We did not tell the school board to spend the money to defend Christmas. We did not embarrass ourselves by protesting or being interviewed by the media. We weren't willing to be a martyr. We didn't die for Christ, we didn't even stand up for Christ

25

We can always claim we didn't know. But in this day and age of electronic communications, that one doesn't work anymore. If you don't care, God bless you. If you want to know, Google, Bing, choose your search engine and type in "Christians being Killed", "Martyrs". Imput, News about Christians, check out "Samaritan's Purse", listen to Christian radio when the news of the world comes on.

**Get involved. It works!!**





### New Year's Prayer

Lord, this year I want to change,  
and I've said that in the past.  
but now my prayer is different  
'cause I understand at last.

I wanted my own way before,  
I ignored your loving plans.  
But now I'm putting everything  
into your nail-scarred hands.

I promise to obey you  
out of gratitude and love.  
I won't be giving orders  
to my Father up above.

I finally realize the truth  
and so I've changed my prayer.  
The safest place for me to be  
is in your gentle care.

Please be my shepherd, Jesus,  
that's all I ask of you.  
In good times and in bad this year,  
Take my hand and lead me through.

Amen.

by Jack Zavada

### **I AM A SENIOR CITIZEN!**

My working days are done...  
I'm quite content with  
walking now,  
I no longer have to run.



Being older has advantages,  
I never had before...  
I flaunt my age, just like a  
badge,  
For discounts at each store.

My kids all think I'm daffy,  
I see them roll their eyes...  
They'll never once admit  
that though,  
I'm older, I'm still wise.

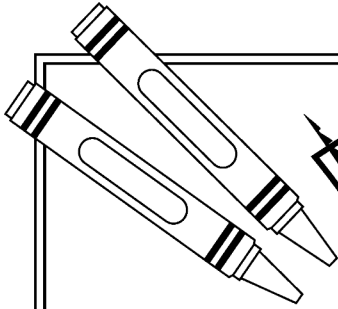


It's pay back time for me at  
last,  
For the years they drove me  
crazy...  
Now they're the ones who  
have to work,  
While I am the one who's  
lazy.

### **I AM A SENIOR CITIZEN,**

It makes me very proud...  
I take it to the limits of,  
The things that are allowed.

Loree (Mason) O'Neil  
©2006



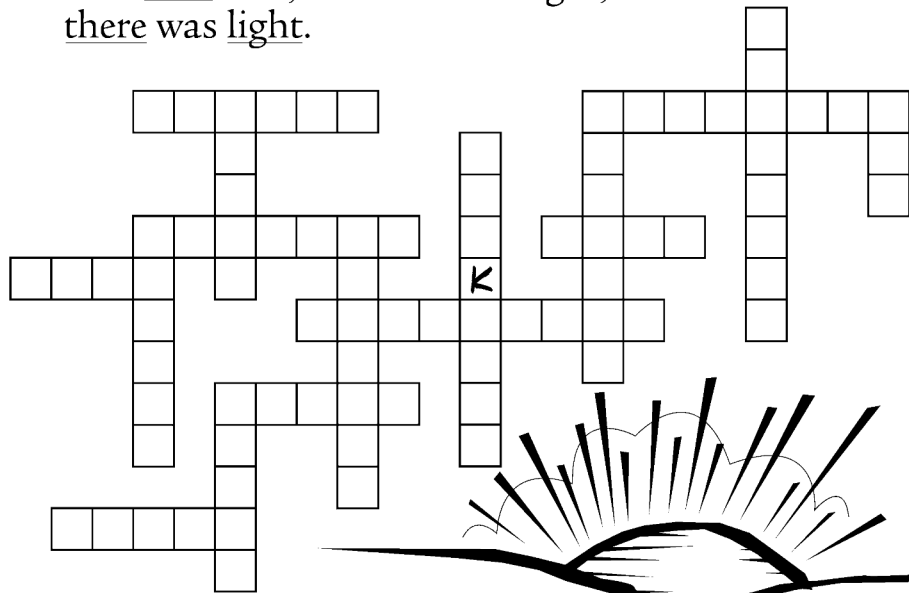
# PUZZLE

## The Beginning

The start of a new calendar year is a great time to praise God for his amazing creation.

Directions: Read Genesis 1:1-3 (NIV), below. Place the underlined words into the crossword. One letter has been provided to help you start.

*In the beginning God created the heavens and the earth. Now the earth was formless and empty, darkness was over the surface of the deep, and the Spirit of God was hovering over the waters. And God said, "Let there be light," and there was light.*



First United Methodist Church of Homosassa  
8831 W. Bradshaw Street  
Homosassa, FL 34448

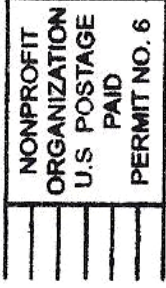


*CHANGE SERVICE REQUESTED*

We Are A Stephen Ministry Church  
"Open Hearts, Open Minds, Open Doors"

**Rev. Kip Younger, Pastor**

Office Hours: Weekdays  
8:30AM to 4:30PM  
Office Telephone: 352-628-4083  
Fax: (352) 628-9086



**Remember When**



**JANUARY  
2015**